

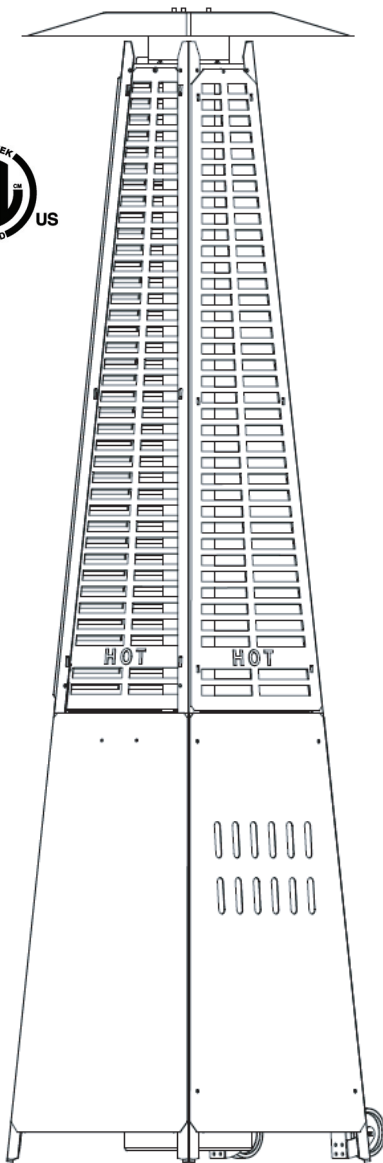
Sit back. Relax. Stay warm.

Paramount

Stealth Pyramid Heater

Item#: 63099

Model #: PH-F-126



DANGER

FOR YOUR SAFETY:

If you smell gas:

1. Shut off gas to the appliance.
2. Extinguish any open flame.
3. If odor continues, keep away from the appliance and immediately call your gas supplier or fire department.

WARNING

Do not store or use gasoline or other flammable vapors and liquids in the vicinity of this or any other appliance. An LP-cylinder not connected for use shall not be stored in the vicinity of this or any other appliance.

DANGER

DANGER indicates an imminently hazardous situation which, if not avoided, will result in death or serious injury.

WARNING

Improper installation, adjustment, alteration, service or maintenance can cause property damage, injury or death. Read the installation, operation and maintenance instructions thoroughly before installing or servicing this equipment.

DANGER

Failure to comply with the precautions and instructions provided with this heater can result in death, serious bodily injury and property loss or damage from hazards of fire, explosion, burn, asphyxiation, and/or carbon monoxide poisoning. Only persons who can understand and follow the instructions should use or service this heater.

WARNING

FOR OUTDOOR USE ONLY!



ATTACH YOUR RECEIPT HERE

Keep a copy of your proof of purchase or order confirmation which will be needed if you need to contact us about warranty coverage.

Serial No. _____

Purchase Date _____



Questions, problems, missing parts?

Before returning to your retailer, our exceptional customer service is available.

Call us toll-free at (800) 561-5550- Friday 7:30 a.m. – 4 p.m., PST, email us at customercare@jrhome.com

TABLE OF CONTENTS

Before You Begin	Page 2
Safety Information	Page 3
Package Contents	Page 4
Hardware Contents	Page 4
Assembly	Page 5-15
Operating Instructions	Page 15-19
Care and Maintenance	Page 20
Troubleshooting	Page 21
Warranty Information	Page 21-22



BEFORE YOU BEGIN

Please read and understand this entire manual before attempting to assemble, operate or install this appliance. If you have any questions regarding the product, please contact the retailer.

This manual contains important information about the assembly, operation and maintenance of this LPG Patio Heater. General safety information is presented in the first few pages and is also located throughout this manual. Keep this manual for future reference and to educate new users of this appliance.



 **DANGER**

EXPLOSION—FIRE HAZARD

- Keep solid combustibles, such as building materials, paper, or cardboard a safe distance away from the heater as recommended by the instructions.
- Provide adequate clearances around air openings into the combustion chamber.
- Never use the heater in spaces which do or may contain volatile or airborne combustibles, or products such as gasoline, solvents, paint thinner, dust particles, or unknown chemicals.
- During operation, this appliance can be a source of ignition. Keep heater area clear and free from combustible materials, gasoline, paint thinner, cleaning solvents and other flammable vapors and liquids. Do not use heater in areas with high dust content. Minimum heater clearances from combustible materials: 3 feet/36 inches from top and 2 feet/24 inches from sides.
- Never store propane near high heat, open flames, pilot lights, direct sunlight, other ignition sources, or where temperatures exceed 120° F (49° C).
- Propane vapors are heavier than air and can accumulate in low places. If you smell gas, leave the area immediately.
- Never install or remove a propane cylinder while the heater is lighted, near flame, pilot lights, or other ignition sources or while heater is hot to the touch.
- This heater is red hot during use and can ignite flammables too close to the burner. keep flammables at least 3.3 feet/40 inches/1 meter) from top and sides. keep gasoline and other flammable liquids and vapors well away from heater.
- Store the propane cylinder outdoors in a well-ventilated space out of the reach of children. Never store the propane cylinder in an enclosed area (house, garage, etc.). If heater is to be stored indoors, disconnect the propane cylinder for outdoor storage.

 **WARNING:**
FOR OUTDOOR USE ONLY

 **CARBON MONOXIDE HAZARD**

This appliance can produce carbon monoxide which has no odor. Using it in an enclosed space can kill you. Never use this appliance in an enclosed space such as a camper, tent or home.

 **DANGER**

CARBON MONOXIDE HAZARD

- This heater is a combustion appliance. All combustion appliances produce carbon monoxide (CO) during the combustion process. This product is designed to produce extremely minute, non-hazardous amounts of CO if used and maintained in accordance with all warnings and instructions. Do not block the air flow into or out of the heater.
- Carbon Monoxide (CO) poisoning produces flu-like symptoms, water eyes, headaches, dizziness, fatigue, and possibly death. You can't see and you can't smell it. It is an invisible killer. If these symptoms are present during operation of this product, get fresh air immediately!
- For outdoor use only.
- Never use inside house or other unventilated or enclosed areas.
- This heater consumes air (oxygen). Do not use in unventilated or enclosed areas to avoid endangering your life.

 **WARNING**

BURN HAZARD

- Never leave heater unattended when hot or in use.
- Keep out of reach of children.

 **WARNING**

WARNING indicates an imminently hazardous situation which, if not avoided, will result in death or serious injury.

 **WARNING**

Certain materials or items, when stored under the heater, will be subject to radiant heat and could be seriously damaged.

 **CAUTION**

CAUTION indicates an imminently hazardous situation which, if not avoided, may result in minor or moderate personal injury, or property damage.

 **CAUTION**

SERVICE SAFETY

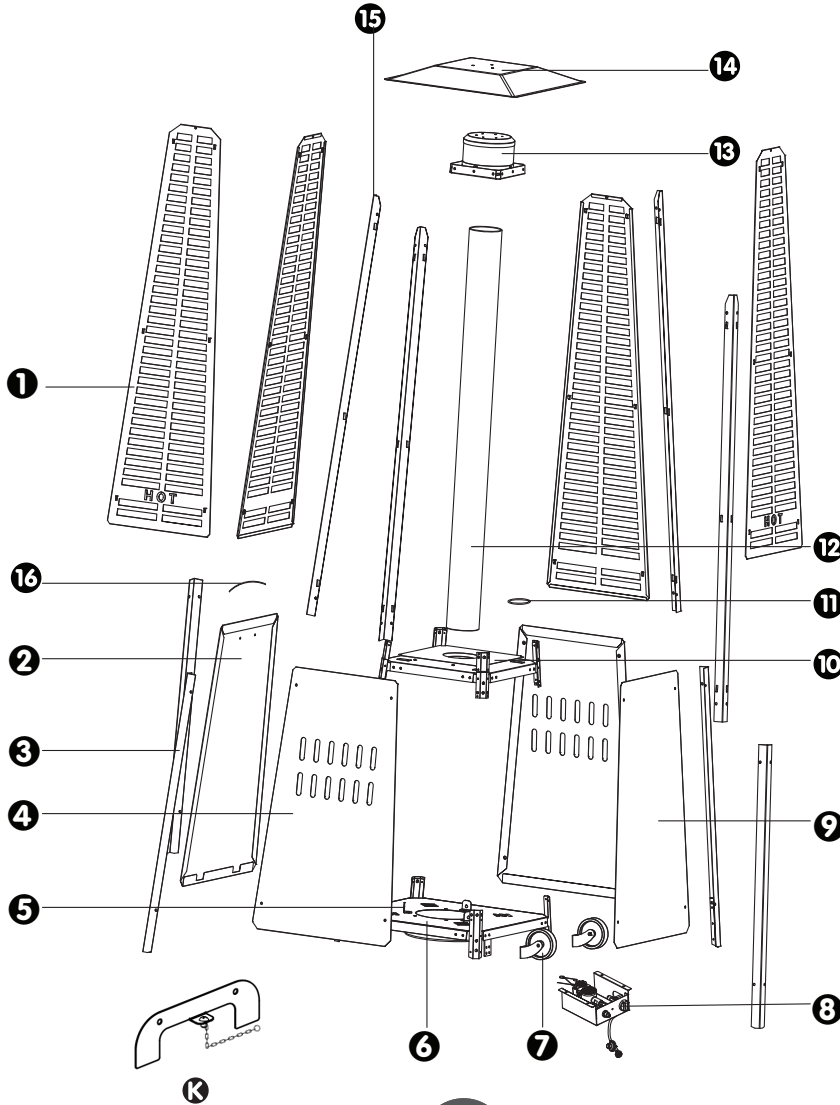
- Keep all connections and fittings clean. Make sure propane cylinder valve outlet is clean.
- During set up, check all connections and fittings for leaks using soapy water, never use a flame to check for leaks.
- Use as a heating appliance only. Never alter in any way to use with any device.

 **WARNING**

- This product is fueled by propane gas. Propane gas is invisible, odorless, and flammable. An odorant is normally added to help detect leaks and can be described as having a "rotten egg" smell. The odorant can fade over time so leaking gas is not always detectable by smell alone.
- Propane gas is heavier than air and leaking propane will sink to the lowest level possible. It can ignite by ignition sources including matches, lighters, sparks or open flames of any kind many feet away from the original leak. Use only propane gas set up for vapor withdrawal.
- Store and use propane gas in compliance with local ordinances and codes or with ANSI/NFPA 58. Always turn off propane when not in use.
- Alert children and adults to the hazards of high surface temperatures. Stay away from these surfaces to avoid burning skin or igniting clothing.
- Carefully supervise young children when in the vicinity of the heater.
- Do not hang clothing or any other flammable materials from the heater, or place near the heater.
- Replace any guard or protective device removed for servicing the appliance prior to placing back in service.
- Installation and repair should be done by a qualified service person. The heater should be inspected before each use, and annually by a qualified service person. More frequent cleaning may be required as necessary. It is imperative that the control compartment, burners, and circulating air passageway of the appliance be kept clean.

PACKAGE CONTENTS

Paramount



PART	DESCRIPTION	QTY
1	Guard Screen	4
2	Door Panel	1
3	Lower Support	4
4	Side Panel	2
5	Gas Cylinder Bracket	3
6	Base Plate	1
7	Wheel	2
8	Control Box	1
9	Back Panel	1
10	Middle Plate	1
11	Silicone Ring	1
12	Flame Tube	1
13	Emitter	1
14	Reflector	1
15	Upper Support	4
16	Handle	1
K	Handle Bracket (pre-installed)	1

Requires one AA battery (not included).
Install behind Igniter Button.



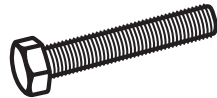
HARDWARE CONTENTS



A
x2



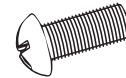
B
x3



C
x3



D
x2



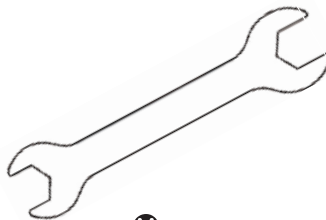
E
x64



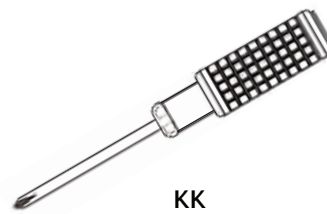
F
x3



G
x3



H
x2



KK
Reflector Stud
Qty : 3
(Step 6)



J
x6

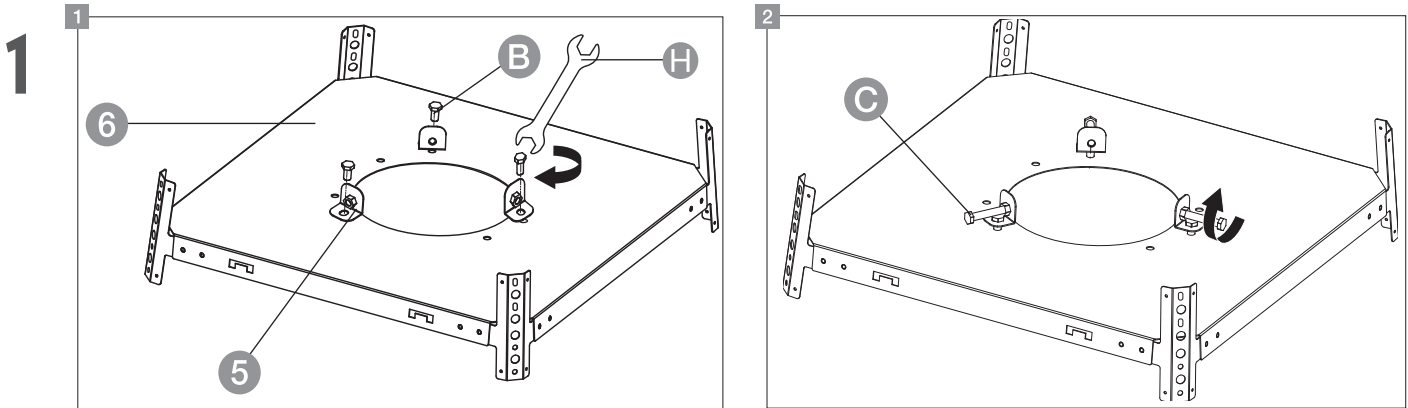


PREPARATION

Before beginning assembly of this appliance, make sure all parts are present. Compare all parts with package contents list and hardware contents as listed on page 4 of this manual. If any part is missing or damaged, do not attempt to assemble this product. Contact customer service for replacement parts.

ESTIMATED ASSEMBLY TIME: 90 minutes

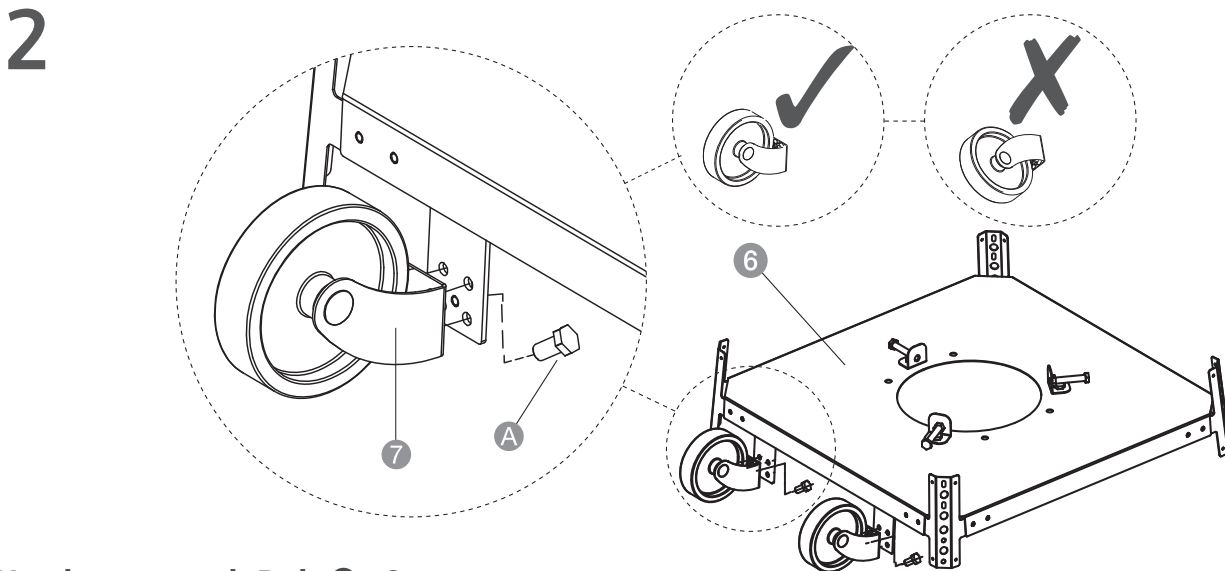
Additional Tool suggestion for assembly (NOT included) · Adjustable crescent wrench



Hardware used: Short Bolt B x3, Long Bolt C x3

1 Attach the gas cylinder brackets **5** to the base plate **6**: Align the gas cylinder brackets with the eyelets in the base plate surrounding the large center hole. Fasten the gas cylinder brackets to the base plate using 3 short bolts **B**. Rotate the vertical portion of the brackets toward the middle of the base plate. Tighten the short bolts using a wrench **H**.

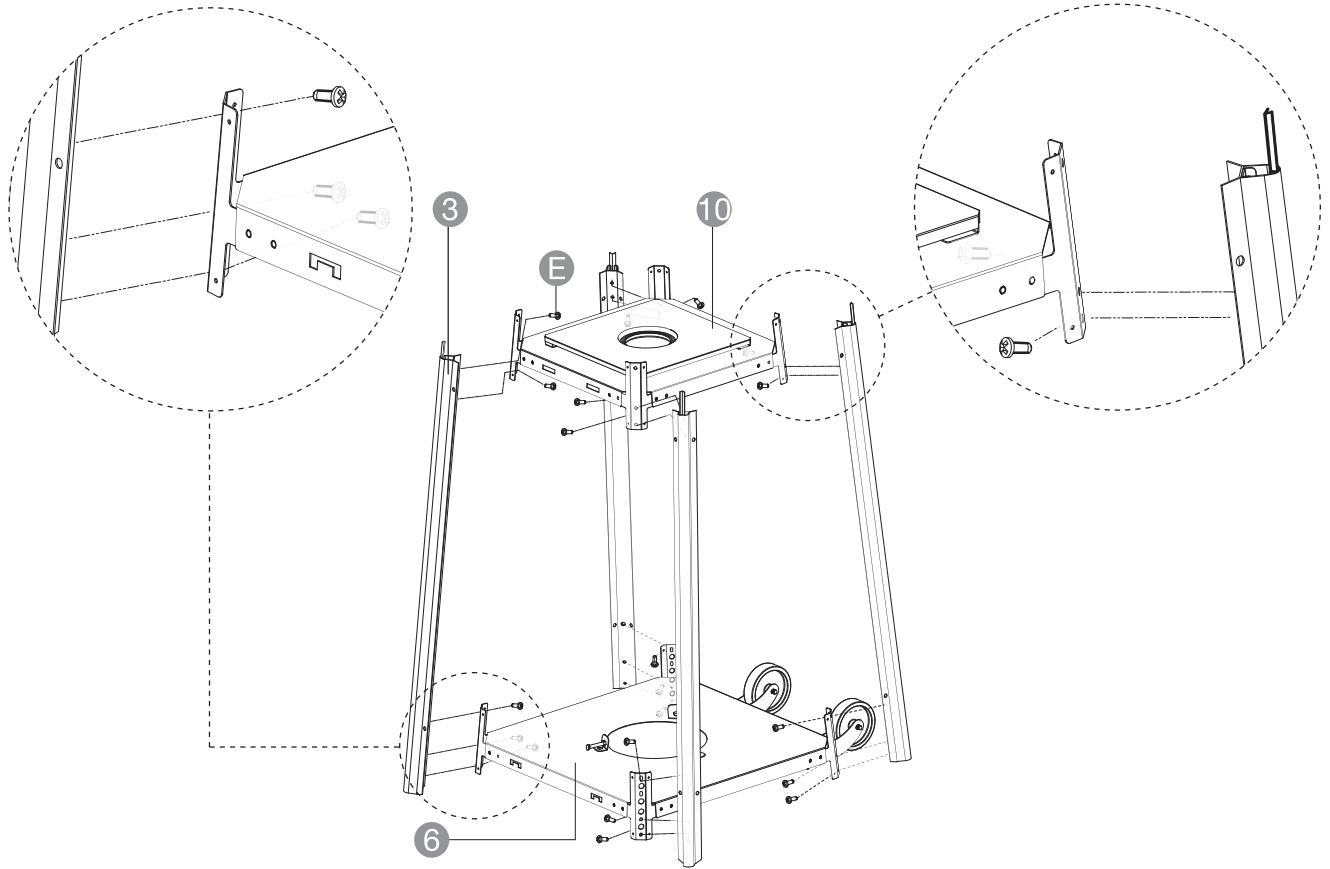
2 Insert 3 long bolts **C** into the nuts welded onto the gas cylinder brackets eyelets. Do not tighten the long bolts completely (this will be done in step 13 when securing the gas cylinder).



Hardware used: Bolt A x2

Attach 2 wheels **7** to the base plate **6** with 2 bolts **A**. Pay attention to the direction of the wheels when attaching. Make sure the wheel brackets point towards the upper side of the base plate (the side where the gas cylinder brackets are attached). For easier installation, turn the base plate over before attaching the wheels.

3

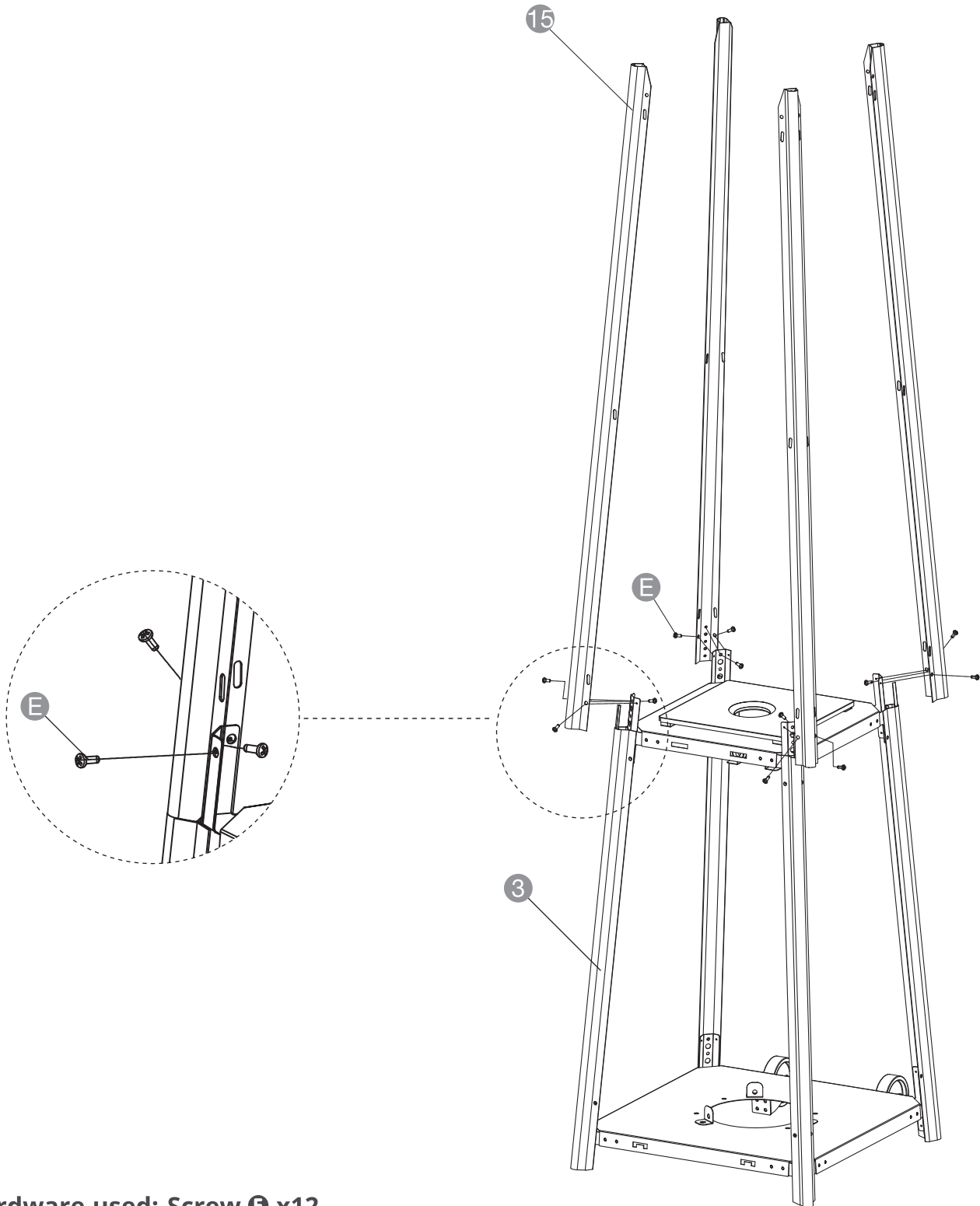


Hardware used: Screw **E** x20

Assemble the lower frame. Align the eyelets at the bottom of lower supports **3** with the small eyelets on the corners of the base plate **6**. Fasten the lower supports to the base plate using 12 screws **E**. Attach the middle plate **10** at the top of the lower supports using 8 screws **E**.

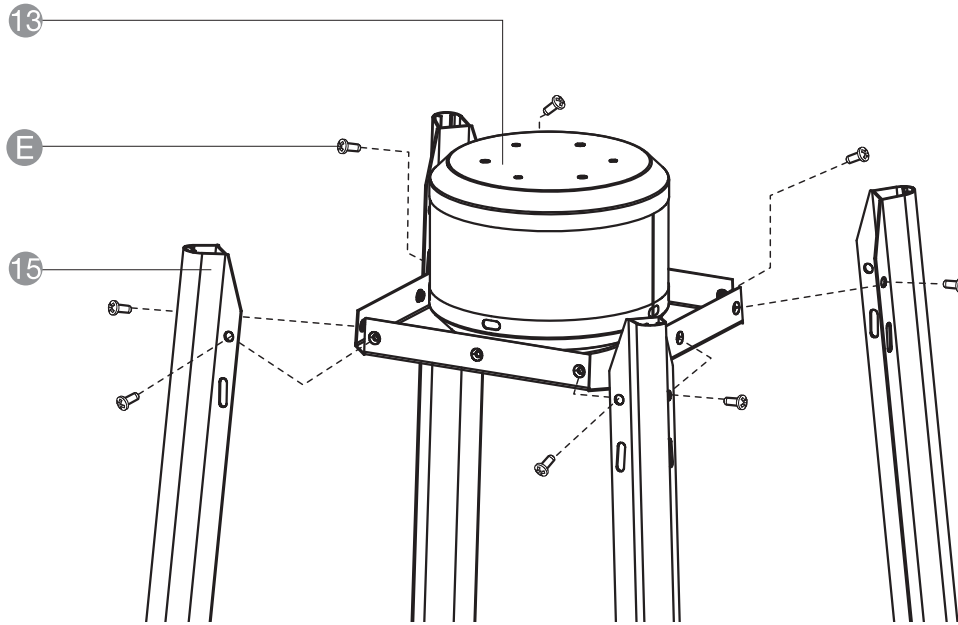
The arrow sticker on the middle plate must point in the same direction as the corresponding sticker on the base plate.

4

**Hardware used: Screw ③ x12**

- 1 Slide the 4 upper supports ⑮ onto the lower supports ③.
- 2 Slide the corresponding opening of the upper supports onto the v-shaped rail of the lower supports.
- 3 The upper and lower support brackets need to fit flush. Secure the connections using 12 screws ③.

5

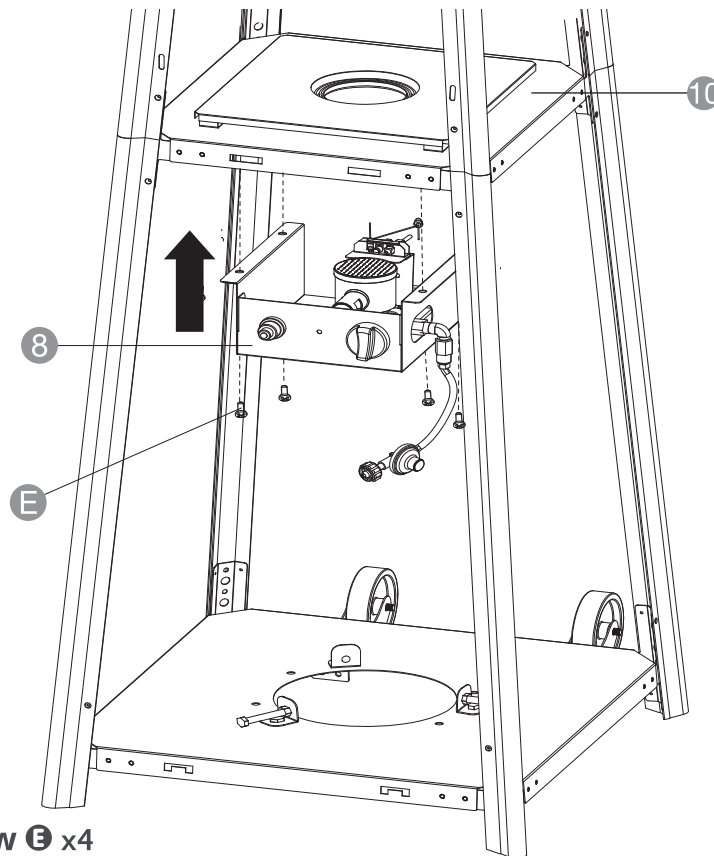


Hardware used: Screw E x8

Attach the emitter 13 to the upper supports 15 using 8 screws E.

▲ NOTICE: Assembly step 5 may require a ladder. Follow safety precautions when working on a ladder.

6

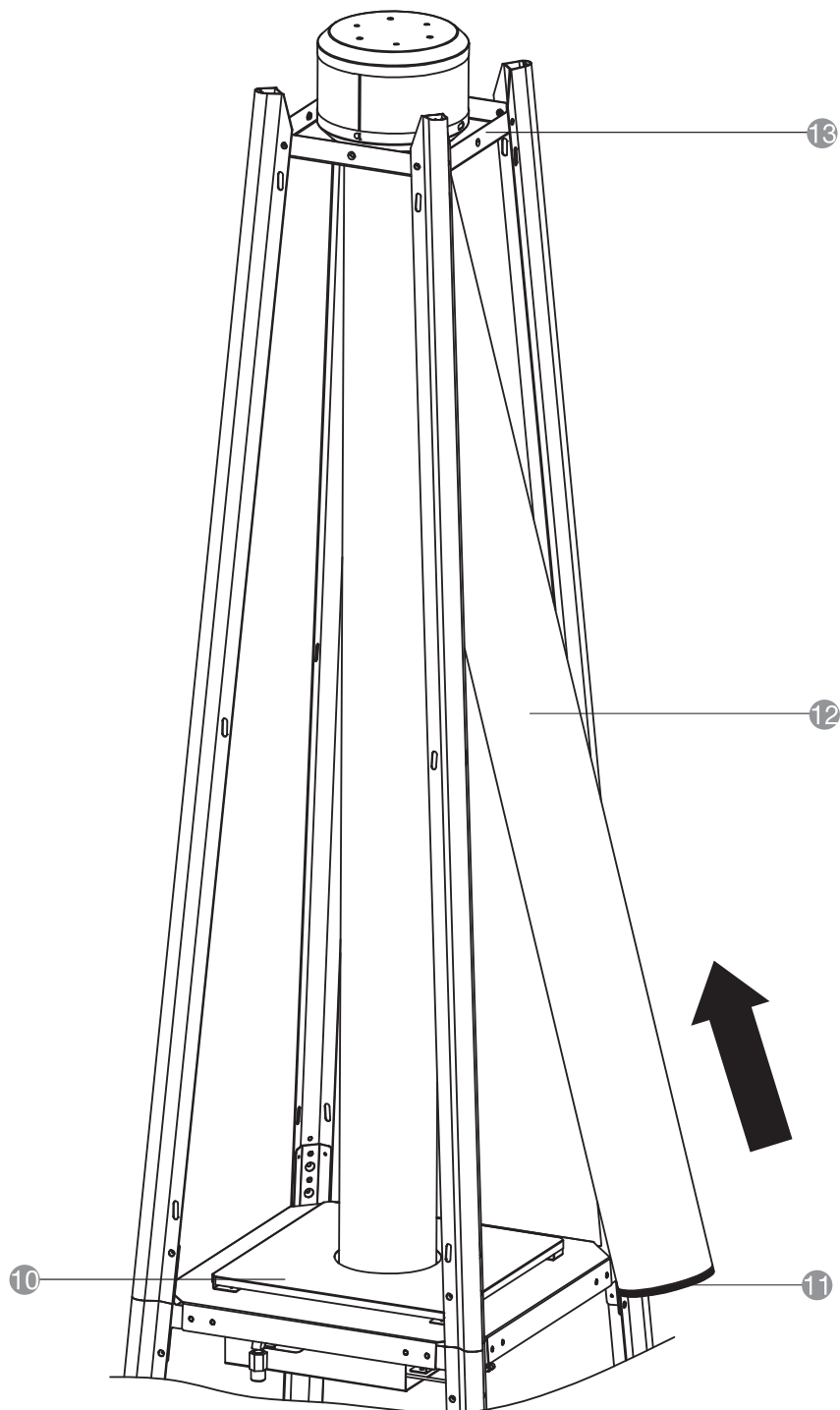


Hardware used: Screw E x4

Attach the control box 8 to the bottom of the middle plate 10 using 4 screws E.

▲ NOTICE: From step 6 on, you may continue the assembly without battery, or insert 1 AA battery (not included) into the control box at any time (see section "Operation-Inserting Battery").

7



⚠ WARNING The black silicone ring **11** must be in place around the lower rim of the flame tube **12** prior to operating the product.

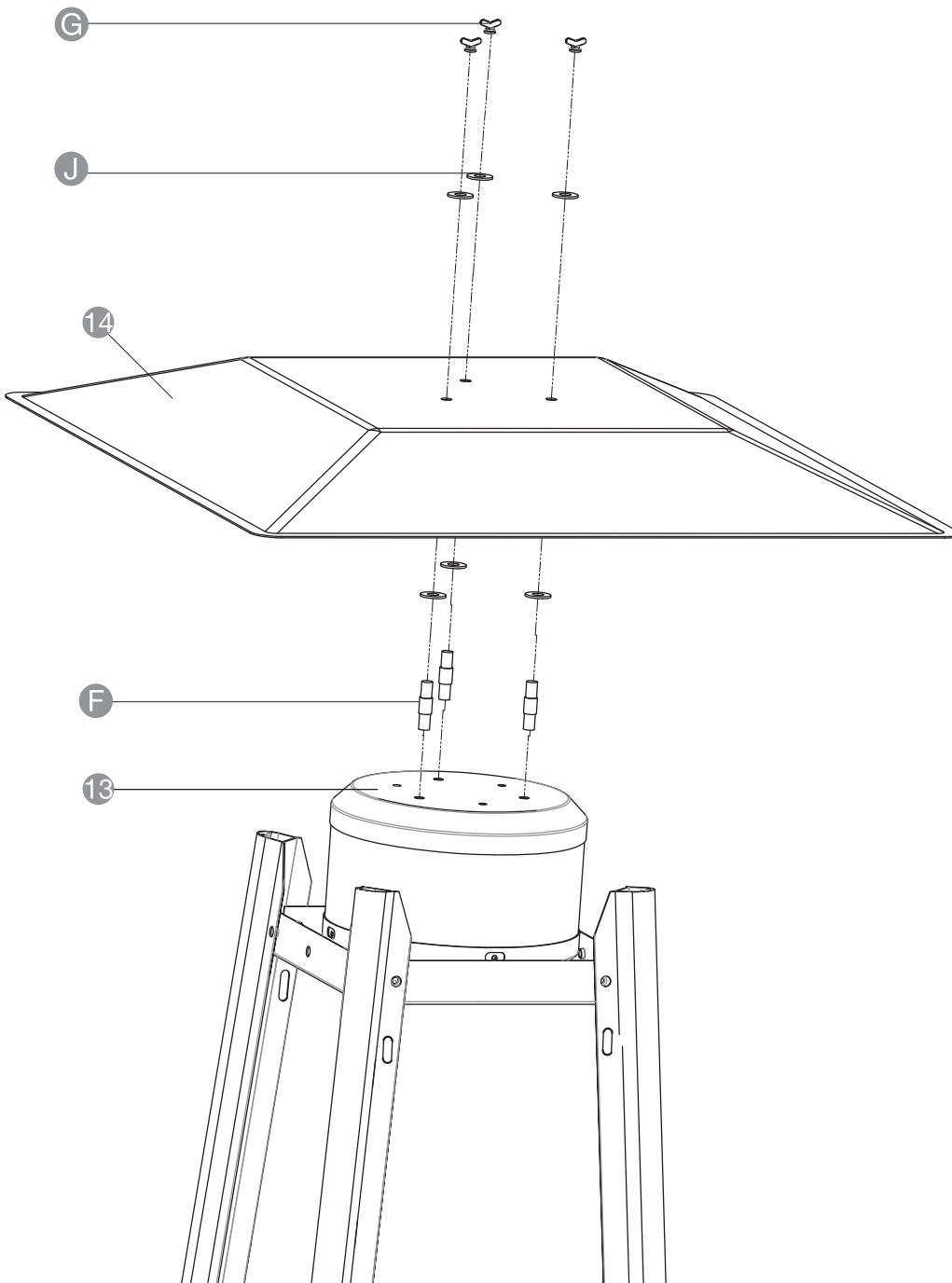
Place the black silicone ring around the bottom edge of the flame tube.

Carefully install the flame tube by guiding it up into the open bottom of the emitter **13**. Do not force the tube.

Slide the bottom of the flame tube laterally into place and settle it into the hole in the center of the middle plate **10**.

Ensure that the tube is positioned properly to completely cover the hole.

8



Hardware used: Stud F x3, Washer J x6, Wing Nut G x3

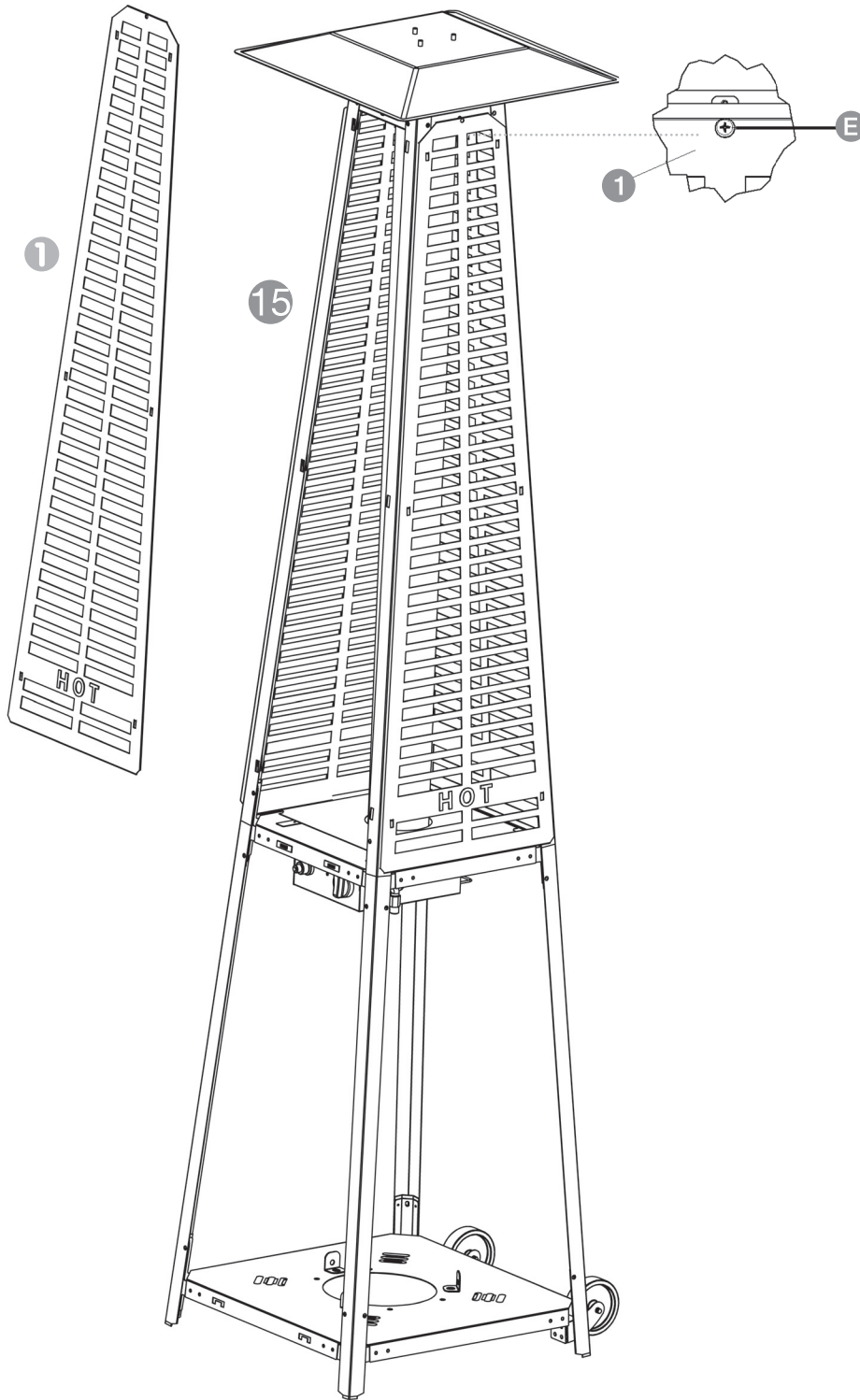
Attach the reflector 14 to the emitter 13. Screw the 3 reflector studs F into the top of the emitter, then slide 3 washers J onto the studs.

Slide the reflector's drilled holes onto the studs.

Slide 3 washers onto the studs and secure the connection with 3 wing nuts G.

▲ NOTICE: Assembly step 8 may require a ladder. Follow safety precautions when working on a ladder.

9



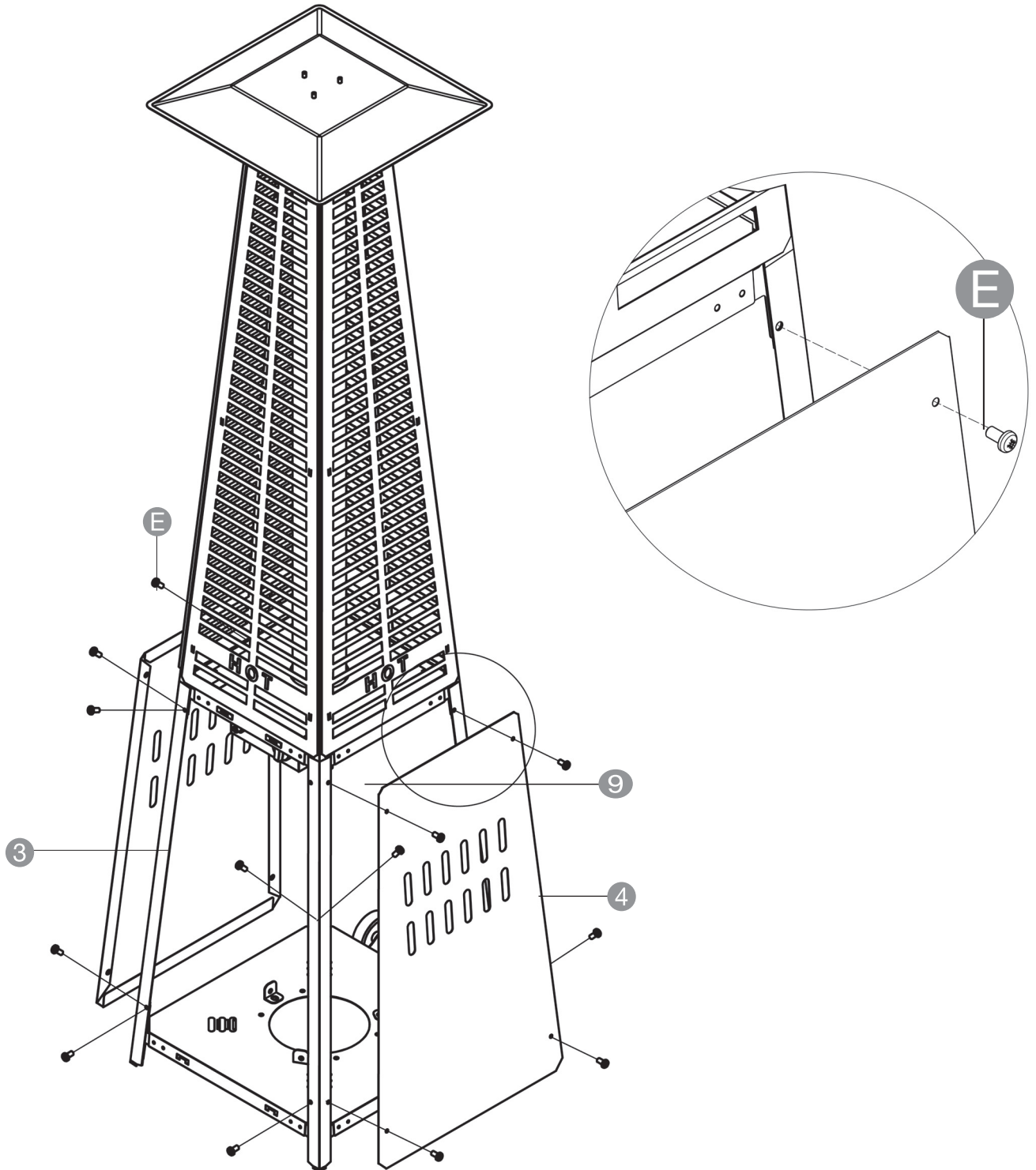
Hardware used: Screw ③ x4

Install the guard screens ①:

Hang the hooks of the guard screens into the holes near the top, middle, and bottom of the upper supports ⑮.

Secure the guard screens by inserting and tightening a screw ③ at the top of each screen.

10



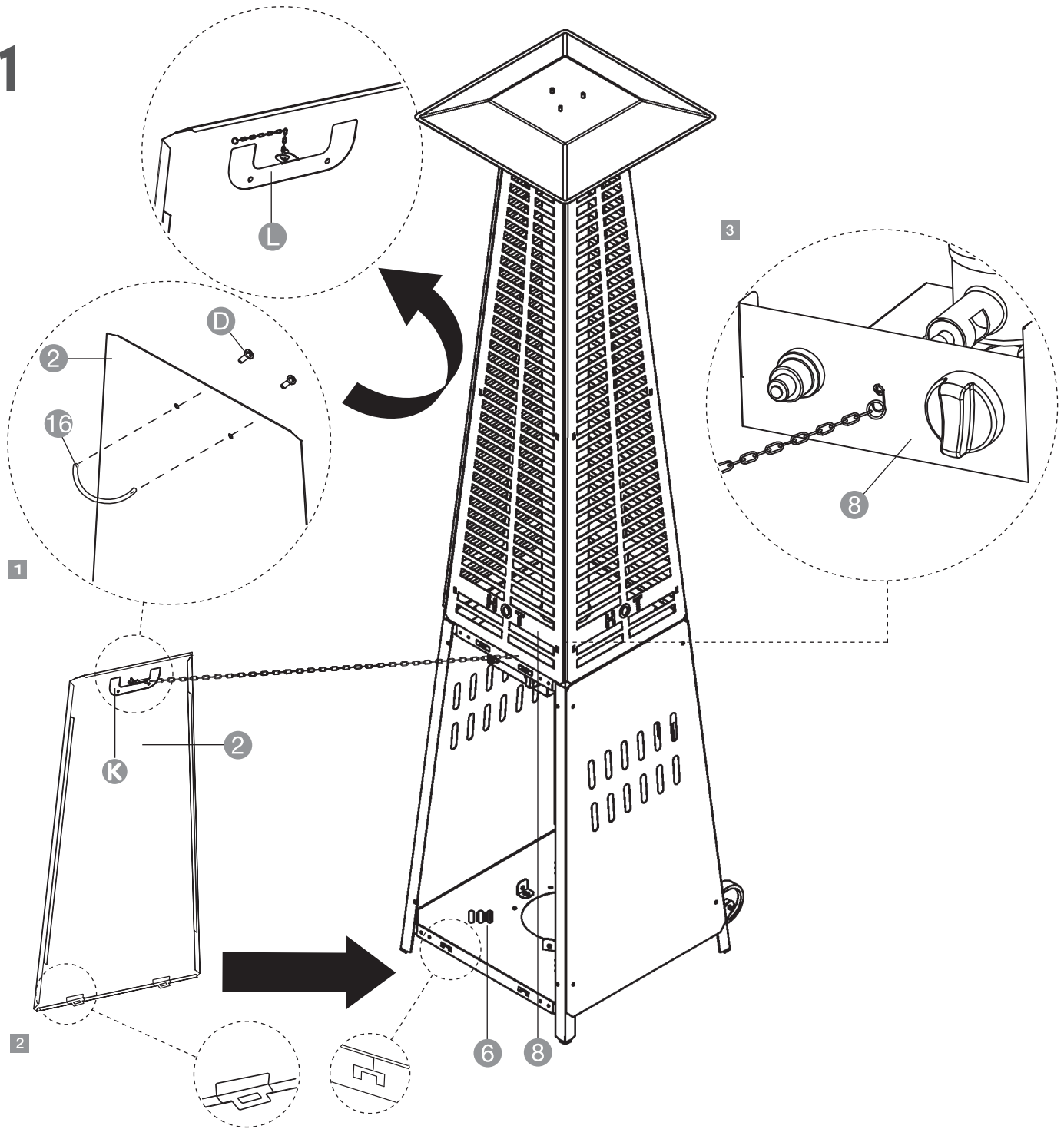
Hardware used: Screw **E** x16

Attach the side panels **4** and the back panel **9** to the product using 4 screws **E** per panel.

On the front side, insert the 4 screws **E** directly into the matching holes on the lower supports **3**.

▲ NOTICE: Do not cover the front (where the control knob of the control box faces).

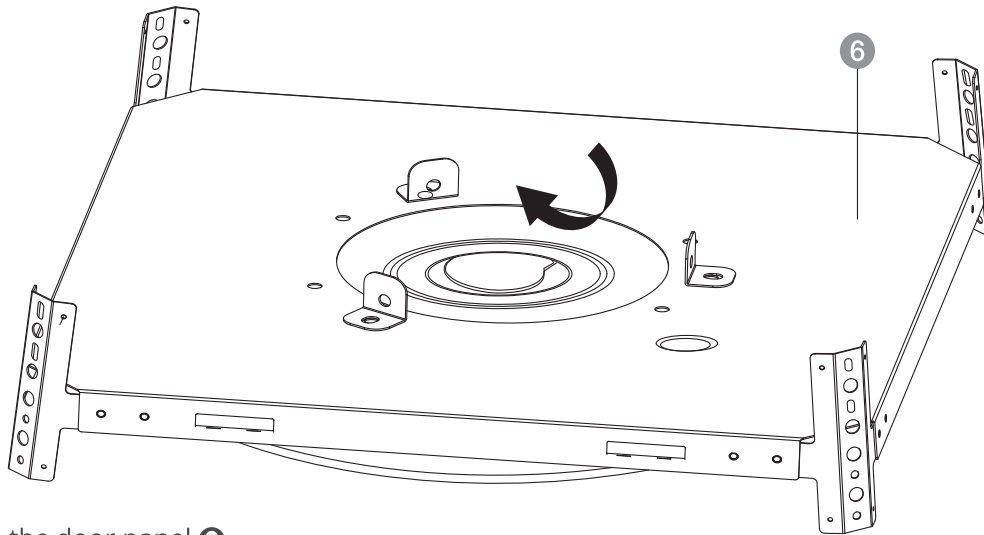
11



Hardware/Parts used: Screw ① x2, Handle Brace ①

- 1 Attach the handle ① on the outside of the door panel ② and connect it with the handle brace ① on the inside of the door panel using 2 screws ①.
- 2 Insert the tabs on the bottom of the door panel into the tab holes at the front of the base plate ⑥.
- 3 Attach the chain at the hook on the front of the control box ⑧.

12

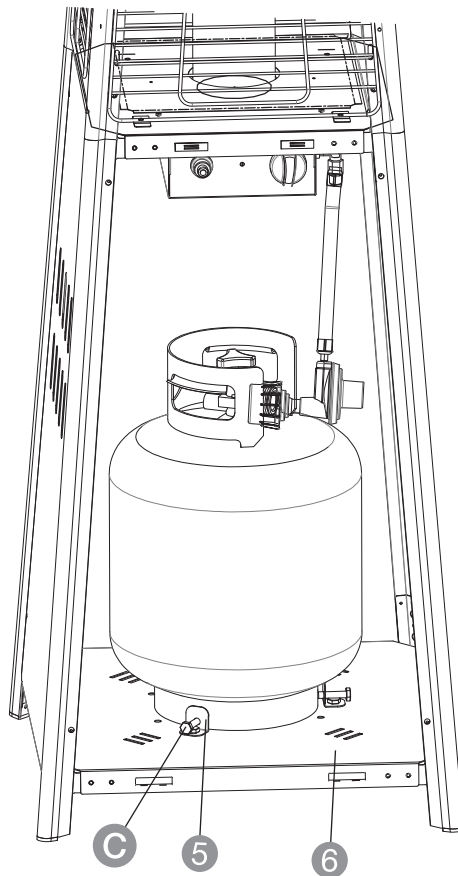


Remove the door panel ②.

Pry open the plastic cap of the sandbox (pre-installed under the base plate ⑥).

Fill the sandbox with sand or water, then securely close the plastic cap.

13

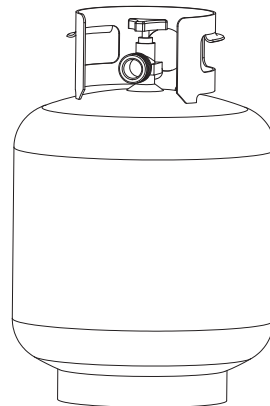


Place an LPG cylinder (not included) on the base plate ⑥. Connect the regulator end of the gas hose with the LPG cylinder (not included). Do not cross-thread. Secure the LPG cylinder with the gas cylinder brackets ⑤ by tightening the 3 long bolts ③.

⚠ NOTICE: Only use a standard 20 lb LPG cylinder.

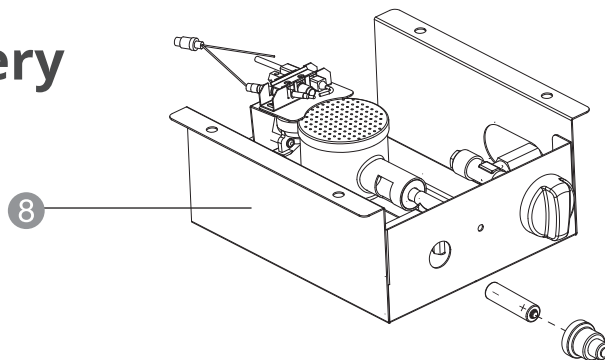
Information on Gas Cylinders

- Use this product only with a LPG vapor withdrawal supply system.
 - Storage of the product indoors is permissible only if the cylinder is disconnected and removed from the product. A cylinder must be stored outdoors in a well-ventilated area out of the reach of children. A disconnected cylinder must have dust caps tightly installed and must not be stored in a building, garage or any other enclosed area.
 - The pressure regulator and hose assembly supplied with the product must be used.
 - Check the hose and regulator before use.
 - Inspect the visible hose portion of the regulator before use. Check it completely at least annually.
 - Replacements of the hose and regulator must be those specified by the manufacturer.
 - The hose and regulator must be UUCSA certified, the outlet pressure of the regulator must be according to the table in the "Specifications" chapter. Suitable spare parts are available from specialist dealers.
 - The installation must conform with local codes.
 - A dented, rusted or damaged LPG cylinder may be hazardous and should be checked by your LPG supplier. Never use a LPG cylinder with a damaged valve connection.
 - The length of the hose cannot exceed 4.6 ft.
 - The cylinder must have a listed overfilling prevention device.
 - The cylinder must have a connection device compatible with the connection for the product.
-
- Do not store a spare LPG cylinder under or near this product.
 - Never fill the cylinder beyond 80 % full.
 - Place the dust cap on the cylinder valve outlet whenever the cylinder is not in use. Only install the type of dust cap on the cylinder valve that is provided with the cylinder valve. Other types of caps or plugs may result in leakage of LPG.



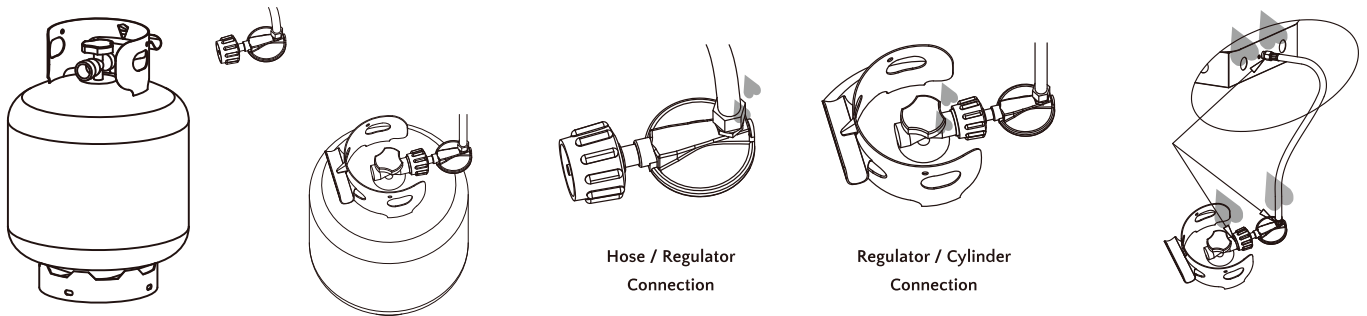
OPERATION

Inserting Battery



- Unscrew the ignition switch button on the control box ⑧. Install 1 AA battery (not included) with the + polarity end facing OUT.
- Screw the ignition switch button back in.

⚠ NOTICE: Always insert the battery with correct polarity (+ and -) orientation marked on the battery and product.



Hose / Regulator
Connection

Regulator / Cylinder
Connection

A minimum supply pressure of .5 psi is required for the purpose of input adjustment of propane gas. Storage of an appliance indoors is permissible only if the cylinder is disconnected and removed from the appliance. A cylinder must be stored outdoors in a well-ventilated area out of the reach of children. A disconnected cylinder must have dust caps tightly installed and must not be stored in a building, garage, or any other enclosed area. The minimum permissible gas supply pressure of 11 W.C. is required for the purpose of hose adjustment. The minimum hourly of 1,500 BTU is the required input rating for a heater for automatic operation rating less than full input rating.

The pressure regulator and hose assembly supplied with the appliance must be used.

The installation must conform with local codes, or in the absence of local codes, with national fuel gas code, ANSI Z223.1/NFPA54, natural gas and propane Installation Code, CSA B149.1, or propane storage and handling code, B149.2

A dented, rusted or damaged propane cylinder may be hazardous and should be checked by your local cylinder supplier. Never use a propane cylinder with a damaged valve connection. The propane cylinder must be constructed and marked in accordance with the specifications for LP gas cylinders of the U.S. Department of Transportation (DOT) or the standard for cylinders, spheres and tubes for transportation of dangerous goods and commission, CAN/CSA-B339.

- Do not store a spare LP-gas cylinder under or near this appliance.
- Never fill the cylinder beyond 80 percent full.
- Place the dust cap on the cylinder valve outlet whenever the cylinder is not in use. Only install the type of dust cap on the cylinder valve that is provided with the cylinder valve. Other types of caps or plugs may result in propane leakage.

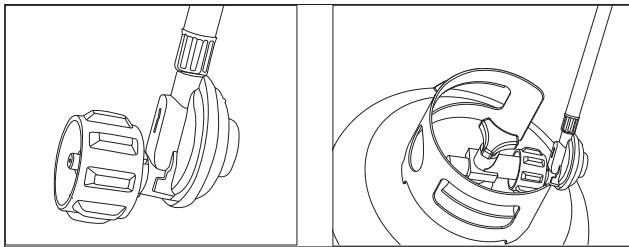
- The cylinder must have a listed overfilling prevention device.
- The cylinder must have a connection device compatible with the connection for the appliance.
- The cylinder used must include a collar to protect the cylinder valve.
- Never connect an unregulated propane cylinder to the heater.

LEAK TEST

1. Make 2–3 oz. of leak test solution (one part liquid dish washing detergent and three parts water).
2. Apply several drops of solution where hose attaches to regulator.
3. Apply several drops of solution where regulator connects to cylinder.
4. Make sure all patio heater valves are OFF.
5. Turn cylinder valve ON.

WARNING

- Perform all leak tests outdoors.
- Extinguish all open flames.
- NEVER leak test when smoking
- Do not use heater until all connections have been leak tested and show no signs of leakage.



IF BUBBLES APPEAR AT ANY CONNECTION, THERE IS A LEAK.

1. Turn cylinder valve OFF.
2. If leak is detected at hose/regulator connection, tighten connection and perform another leak test. If bubbles continue to appear, call customer service at **(800) 561-5550** 7:30 a.m. – 4:00 p.m. PST or email customercare@jrhome.com.
3. If leak is detected at regulator/cylinder valve connection, disconnect, reconnect, and perform another leak test. If you continue to see bubbles after several attempts, cylinder valve is defective. Call our customer service at **(800) 561-5550** 7:30 a.m. – 4:00 p.m. PST or email customercare@jrhome.com.

IF NO BUBBLES APPEAR AT ANY CONNECTION, THE CONNECTIONS ARE SECURE.

Note: Whenever gas connections are loosened or removed, you must perform a complete leak test.

BEFORE TURNING GAS SUPPLY ON:

1. Your heater was designed and approved for **OUTDOOR use only**. Do NOT use it inside a building, garage, or any other enclosed area.
2. Make sure surrounding areas are free of combustable materials, gasoline, and other flammable vapors or liquids.
3. Ensure that there is no obstruction to air ventilation. Be sure all gas connections are tight and there are no leaks.
4. Be sure the cylinder cover is clear of debris. Be sure any component removed during assembly or servicing is replaced and fastened prior to starting.

BEFORE LIGHTING:

1. Heater should be thoroughly inspected before each use, and by a qualified service person at least annually. If re-lighting a hot heater, always wait at least 5 minutes.
2. Inspect the hose assembly for evidence of excessive abrasion, cuts, or wear. Suspected areas should be leak tested. If the hose leaks, replace it prior to operation. Only use the replacement hose assembly specified by the manufacturer.

WARNING:
FOR OUTDOOR USE ONLY

CARBON MONOXIDE HAZARD

This appliance can produce carbon monoxide which has no odor. Using it in an enclosed space can kill you. Never use this appliance in an enclosed space such as a camper, tent or home.

Caution: Do not attempt to operate this appliance until you have read and understand all Safety Information in this manual and all assembly is complete and leak tests have been performed.

Lighting Instructions

NOTE: For initial start, or after any cylinder change, depress control knob for 2 minutes to purge air from gas lines before proceeding.

1. Ensure the control knob is in the OFF position. Slowly open the LPG cylinder valve.
2. Press and turn the control knob to the **PILOT** position (counterclockwise). While depressing the control knob, press the red igniter button. You should hear a sparking/clicking sound of the electronic igniter.
3. Continue to hold in the control knob and check for the pilot flame through the glass tube. If the pilot does not light, turn the control knob clockwise to the **OFF** position. Repeat steps 2-3.

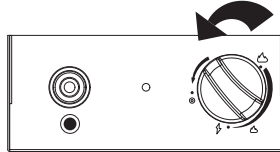


Figure 1

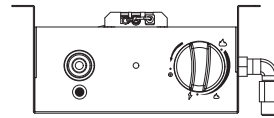


Figure 2

4. If after repeating steps 2-3, the heater still does not light, then:
 - a. Lift the flame tube and prop it up to give at least 1/2" of clearance below the tube.
 - b. Depress control knob and turn counterclockwise to **PILOT** (Figure 3).
 - c. While depressing control knob, place long-stem lighter beneath the flame tube to light the pilot (Figure 4).
5. Once the pilot flame is lit, release the control knob and turn clockwise to **HIGH** or the preferred heat level.
6. To turn the heater off, turn the control knob clockwise to **PILOT**. Depress the control knob and turn clockwise to **OFF**. Close the valve on the LPG cylinder when the product is not in use.

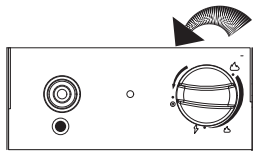


Figure 3

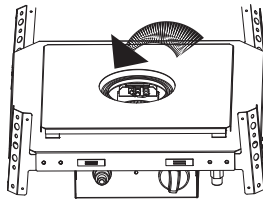


Figure 4

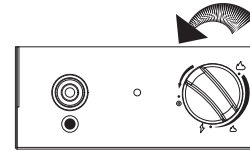


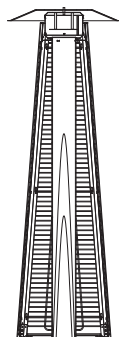
Figure 5

NOTICE If pilot fails to remain lit, close all valves and wait at least 5 minutes before attempting to light again.

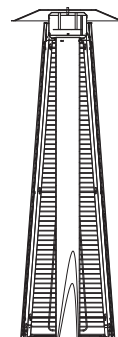
CAUTION Avoid inhaling fumes emitted from the heater's first use. Smoke and odor from the burning of oils used in manufacturing may appear. Both smoke and odor will dissipate after about 30 minutes. The heater should not produce thick black smoke.

NOTICE The burner may be noisy when initially turned on. To eliminate excessive noise from the burner, turn the control knob to the **PILOT** position. Then, turn the knob to the desired heat level.

NOTICE Under normal conditions, the flame height at **HIGH** setting is approximately 2/3 of the height of the flame tube, and the flame height at **LOW** setting is approximately 1/3 of the height of the flame tube. The flame should be stable and bright, and not produce noise at a distracting level or create smoke. If you notice noise or smoke, this is abnormal operation.



Normal flame



Abnormal flame

WARNING **Risk of injury!** Be careful when attempting to manually ignite this product. Holding in the control knob for more than 10 seconds before igniting the gas will cause a ball of flame upon ignition.



OPERATION CHECKLIST:

For a safe and pleasant heating experience, perform this check before each use:

BEFORE OPERATING:

- I am familiar with entire owner's manual and understand all precautions noted.
- All components are properly assembled, intact and operable.
- No alterations have been made.
- All gas connections are secure and do not leak.
- Wind velocity is below 10 mph.
- Heater is for use outdoors (outside any enclosure).
- There is adequate fresh air ventilation.
- Heater is away from gasoline or other flammable liquids or vapors.
- Heater is away from windows, air intake openings, sprinklers and other water sources.
- Heater has at least 3.3'/40"/1m clearance overhead and on on sides from combustible materials.
- Heater is on a hard and level surface.
- There are no signs of spider or insect nests in heater orifices.
- All burner passages are clear.
- All air circulation passages are clear.
- Clothing or other protective material should not be hung from the heater, or placed on or near the heater.
- Any guard or other protective device removed for servicing the heater must be replaced prior to operating the heater.
- Installation and repair should be done by a qualified service person. The heater should be inspected before each use and at least annually by a qualified service person.

OPERATION INFORMATION AND SAFETY:

- Unit will operate at reduced efficiency below 40°F.
- Alert children and adults to the hazards of high surface temperatures and should stay away to avoid burns or clothing ignition.
- Carefully supervise young children in the area of the heater.
- More frequent cleaning may be required as necessary. It is imperative that control compartment burner and circulating air passageways of the heater be kept clean and free of debris and/or spider or insect nests.



RE-LIGHTING:

For your safety, the control knob cannot be turned off without first depressing the control knob in the **PILOT** position and then rotating it to the **OFF** position.

1. Turn the control knob to **OFF**. Wait at least 5 minutes for gas to dissipate.
2. Repeat the steps under **LIGHTING INSTRUCTIONS** on the previous page.



DURING OPERATION:

Flame should be mostly blue and yellow. If excessive flame or smoke is detected, turn off heater and consult "Troubleshooting" section of manual.



WARNING

FOR YOUR SAFETY
Heater will be hot after use. Handle with extreme care.



SHUT DOWN:

1. Turn control knob clockwise to **OFF** while depressing the knob. (Normally, burner may make a slight popping noise when extinguished).
2. Turn cylinder valve clockwise to **OFF** and disconnect regulator when heater is not in use.

NOTE: After use, some discoloration of the emitter screen is normal.



AFTER OPERATION:

1. Turn gas control knob to **OFF** position.
2. Turn gas tank valve **OFF**.
3. Disconnect gas line.
4. Store heater upright in a secure location.



To enjoy years of outstanding performance from your heater, make sure you perform the following maintenance activities on a regular basis:

KEEP EXTERIOR SURFACES CLEAN.

1. Use soapy water for cleaning. Never use flammable or corrosive cleaning agents.
2. While cleaning your unit, be sure to keep the area around the burner and control compartment dry at all times. Do not submerge the control valve assembly. If the gas control is submerged in water, do NOT use it. It must be replaced.
3. Air flow must be unobstructed. Keep controls, burner, and circulating air passageways clean. Signs of possible blockage include:
 4. Gas odor with extreme yellow tipping of flame.
 5. Heater does NOT reach the desired temperature.
 6. Heater glow is excessively uneven.
 7. Heater makes popping noise.
 8. Spiders and insects can nest in burner or orifices. This dangerous condition can damage heater and render it unsafe for use. Clean burner holes by using a heavy-duty pipe cleaner. Compressed air may help clear away smaller particles.
9. Carbon deposits may create a fire hazard. Clean dome and burner screen with warm soapy water if any carbon deposits develop.

Note: *In a salt-air environment (such as near an ocean), corrosion occurs more quickly than normal. Frequently check for corroded areas and repair them promptly.*



TIP FOR STAINLESS STEEL MODELS:

Use high-quality automobile wax to help maintain the appearance of your heater. Apply to exterior surfaces from the post down. DO NOT apply to emitter screen or domes.

WARNING

FOR YOUR SAFETY

- Do NOT touch or move heater for at least 45 minutes after use.
- Reflector is hot to the touch.
- Allow reflector to cool before touching.

STORAGE:

Between uses:

- Turn control knob OFF.
- Disconnect LP source.
- Store heater upright in an area sheltered from direct contact with inclement weather (such as rain, sleet, hail, snow, dust and debris).
- If desired, cover heater to protect exterior surfaces and to help prevent build-up in air passages. Never leave LPG tank exposed to direct sunlight or excessive heat.

Note: Wait until heater is cool before covering.

SERVICE:

Only a qualified service person should repair gas passages and associated components.

Caution: *Always allow heater to cool before attempting service.*



PROBLEM	POSSIBLE CAUSE	CORRECTIVE ACTION
Main burner will not light	Gas valve may be off	Turn gas valve ON
	Fuel tank may be empty	Refill LPG tank
	Orifice blocked	Clean or replace orifice
	Air in supply system	Purge air from lines. Open gas lines and depress control knob for 2-3 minutes.
	Loose connection	Check all fittings
	Igniter fails	Use stick lighter to manually light
	Gas pressure low with valve open full	Replace cylinder or regulator
	New cylinder or 1st ignition	Purge air from lines
	Cylinder valve on, no gas flow	Replace hose/regulator assembly
	Dead battery	Replace AA battery behind igniter button
Low burner flame	Pressure is low	Replace LPG tank
	Tank is low on fuel	Fill LPG tank
	Gas hose is kinked	Check and straighten or replace
Burner unit	Carbon on reflector and emitter screen	Clean components as needed
	Thick black smoke	Blockage in burner assembly—thoroughly clean burner



Questions, problems, missing parts?

Before returning to your retailer, our exceptional customer service is available.

Call us toll-free at **(800) 561-5550**— Friday 7:30 a.m. – 4 p.m., PST, email us at customercare@jrhome.com

IMPORTANT

For questions, concerns or problems with our product please email our customer service department:

customercare@jrhome.com

DATED PROOF OF PURCHASE REQUIRED FOR WARRANTY SERVICE

Si vous éprouvez des difficultés ou si vous avez des questions ou des préoccupations, prière de faire parvenir un courriel à notre service à la clientèle

customercare@jrhome.com

UNE PREUVE D'ACHAT DATÉE EST REQUISE POUR SE PRÉVALOIR DE LA GARANTIE.

WARRANTY

This product is inspected, tested and carefully packaged to minimize the chance of damage during shipment. If a part (excluding light bulbs, glass and fuses*) within one year from the date of purchase proves to be defective in material or fabrication under normal use, the part will be repaired or replaced. The Company's obligation under the warranty is to replace or repair defective parts at our discretion. Any expenses or damage resulting from the installation, removal or transportation of the product will be the responsibility of the owner and are not covered by this warranty. The owner assumes all other risks arising from the use or misuse of the product. The warranty will be void if the product damage or failure is deemed by the Company to be caused by accident, alteration, misuse, abuse, incorrect installation or removal, or connection to an incorrect power source by the owner. The Company neither assumes, nor authorizes any person or entity to assume for it any obligation or liability associated with its products. Light bulbs and fuses are not covered under this warranty. If you have any questions regarding the warranty or service, please contact us at **customercare@jrhome.com**.

Customer Service :

JR Home Products

Unit 306 - 19100 Airport Way, Pitt Meadows, BC V3Y 0E2

Toll Free : 1-800-561-5550

E-mail : **customercare@jrhome.com**

AVERTISSEMENT

Ce produit a été soigneusement inspecté, testé et emballé afin de minimiser les risques de dommages durant le transport. Si l'une des pièces (à l'exception des verres, des ampoules électriques et des fusibles*) s'avère défectueuse au niveau de sa fabrication ou de ses matériaux dans l'année qui suit la date de l'achat suite à une utilisation normale, la pièce sera réparée ou remplacée. La compagnie est tenue de réparer ou remplacer les pièces défectueuses à sa discrétion, en vertu de la garantie. Tous frais ou dommage résultant de l'installation, du démantèlement ou du transport du produit demeurent la responsabilité du client et n'est pas couvert par cette garantie. Le client assume tout autre risque résultant de l'utilisation correcte ou fautive du produit. La garantie devient nulle si la compagnie détermine que le dommage ou le mauvais fonctionnement est causé par un accident, une modification, une mauvaise utilisation, un abus, une mauvaise installation ou un mauvais démantèlement ou un branchement à une source électrique inadéquate de la part du client. La compagnie n'est pas responsable et n'autorise quiconque, personne ou entité légale, à accepter de responsabilité ou obligation en son nom, en rapport avec ses produits. * Les ampoules électriques et les fusibles ne sont pas couverts par cette garantie. Pour toute question au sujet de la garantie ou du service, contacter le service à la clientèle à : **customercare@jrhome.com**.

Service à la clientèle:

JR Home Products

Unit 306 - 19100 Airport Way, Pitt Meadows BC V3Y 0E2 Numéro

sans frais: 1-800-561-5550

Courriel: **customercare@jrhome.com**

You MUST register your product within 30 days of purchase to receive warranty service.

Registration can be completed online at www.jrhome.com or by mailing this form.

Vous DEVEZ enregistrer votre produit dans les 30 jours suivant l'achat pour bénéficier du service de garantie.

L'enregistrement sera complet une fois que vous aurez posté ce formulaire ou que vous serez inscrit en ligne.

Warranty Registration Information Form / Formulaire d'enregistrement de la garantie

Name / Nom : _____

Street / Adresse : _____

City / Ville : _____

Province / Province : _____

Postal Code / Code postal : _____

Daytime Phone # / No téléphone jour : _____

Evening Phone # / No téléphone soir : _____

E-Mail Address / Courriel : _____

Product/Produit : _____

Place of Purchase / Lieu de l'achat : _____

Date of Purchase / Date de l'achat : _____

Model # / No de modèle : _____

Serial # / Numéro de série : _____

You MUST register your product to receive warranty service.

For warranty service, contact J&R Home Products at the address, phone numbers listed below within 30 days of purchase. Be sure to have your sales receipt and original date of purchase. All warranty service will be coordinated by J&R Home Products service center.

Vous DEVEZ enregistrer votre produit pour vous prévaloir de la garantie.

Afin de faire valoir la garantie, communiquez avec J&R Home Products à l'adresse et aux numéros indiqués ci-dessous dans les 30 jours suivant la date d'achat. Ayez en main votre reçu et la date d'achat. Toutes les demandes liées aux garanties seront traitées par le centre de service de J&R Home Products.

